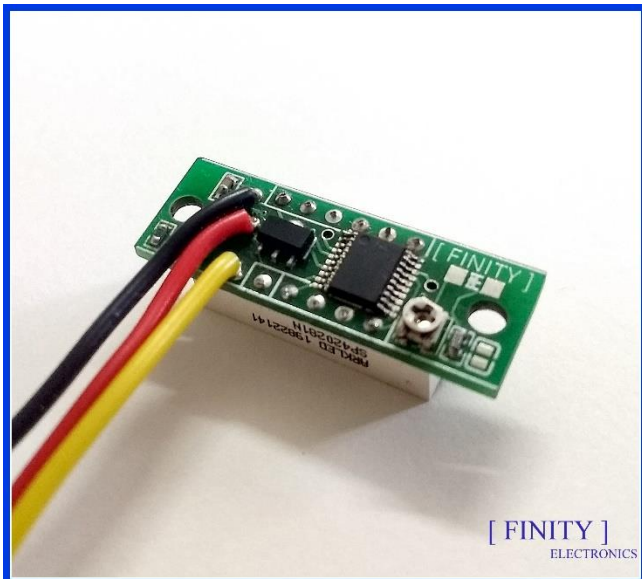
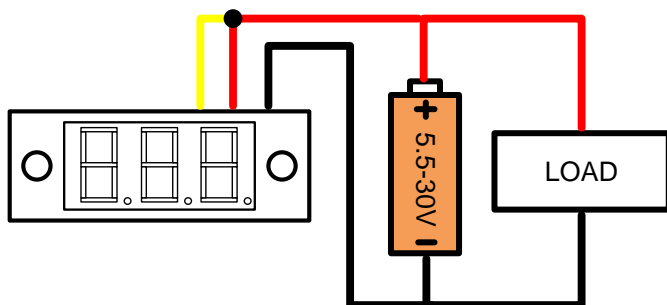


## Digital DC Mini Voltmeter User Manual

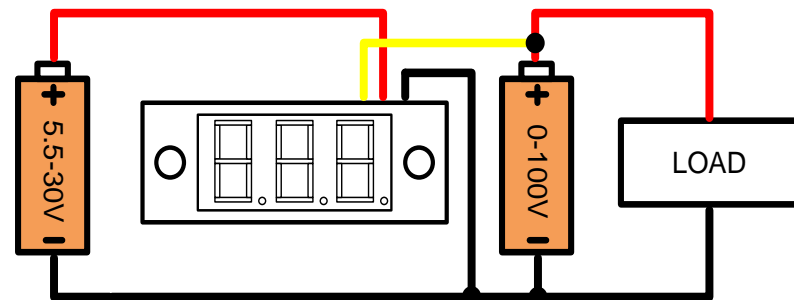


## Features:

- System:
  - Embedded with a dedicated **microcontroller** for powerful processing.
  - **ADC noise cancellation** results a precise DC voltage measurement.
- Technical specifications:
  - **3-digit** digital seven segment numeric **0.28-inch** display.
  - **2880** samples taken per second for measurement.
  - Display refresh rate: **4** times per second.
  - Potentiometer is given for **calibrating** the voltage measurement.
  - Voltage measurement range: **0 to 99.9V DC**
  - Display color: **Red**
  - Power Supply: **5.5V to 30V DC**
  - Terminals Specification:
    - Positive terminal: **Red**
    - Negative terminal: **Black**
    - Measuring terminal: **Yellow**
  - Maximum Input: **105V DC**, higher voltage to respective range may result damage to meter.
  - Has **reverse polarity protection**. Reverse voltage doesn't burn it.
  - Error: **±1 %** of actual value.
  - Terminal wire length: **10cm or 0.1m**
  - Terminal wire standard: **IS 694**
- Design Parameters:
  - Compact, crisp and easy to use design.
  - Approx. dimensions: **33 X 12 mm** or **1.3 X 0.47 inch**.
  - Hole diameter: **2mm**. Perfect for **M2** screws.
  - Weight: approx. **5 grams**.
- Temperature Range:
  - **0°C to +55°C**.
- Connection Diagrams:



For measuring voltage only up to 30V DC



For measuring voltage greater than 30V DC

To know more about us and our products, visit our website at [finityelectronics.com](http://finityelectronics.com).